

Provisional data sheets are subject to revision. The latest version is available on our website www.mactac-europe.com or on request

Specialities: MACbak 7004

GENERAL INTRODUCTION

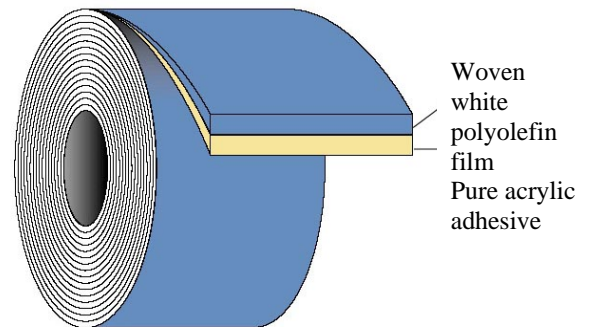
PRODUCT DESCRIPTION

Specialties

-is a range of high technology self-adhesive products, developed for specific industrial applications, particularly in the medical, optical or security fields, etc.

MACbak 7004 is a white self-wound, woven polyolefin film without backing liner, coated on one side with an acrylic pressure sensitive adhesive.

When properly laminated to the coated side of mirrored glass, **MACbak 7004** meets the impact resistance requirements of the European Norm EN 12600:2003 (classification 2B2).



Mactac recommends that every user of this product validate it in accordance with its processes and materials in order to determine if it fits to user's purpose and user's method of application. MACTac Europe does not warranty the suitability of MACbak 7004 for mirrors using double-sided adhesives or mirror mastic adhesives. MACbak 7004 is only recommended for mirrors fitted to a frame or drilled through and screwed into place (and hence supported in position).

SHELF LIFE

6 months when stored at 23°C and 50% relative humidity

**ADHESIVE
DATA**

Peel 180° on stainless steel (N/inch)

- 20 min residence

Shear (hours)

7.5

>100

FTM 1

FTM 8

**FACE
MATERIAL**

Thickness (μ)

130

ISO 534

Tensile strength (N/15mm)

**MD 150 ASTM D 3759
CD 150**

**TEMPERATURE
RESISTANCE**

Minimum application temperature

+5°C

End-use temperature range

to + 70°C

For temperatures outside those quoted above, please consult with MACtac.

(*) Values given are typical and are not necessarily for use in specifications.

IMPORTANT NOTICE

All MACtac products are subject to careful quality control throughout the manufacturing process and are warranted to be of merchantable quality and free from manufacturing defects. Published information concerning MACtac products are based upon research which the Company believes to be reliable but such information do not constitute a warranty. Because of the variety of possible uses for MACtac products and the continuing development of new uses, the purchaser should carefully consider the fitness and performance of the product for each intended use and the purchaser assumes all risks in connection with such use. Seller shall not be liable for damages in excess of the purchase price of the product or for incidental or consequential damages. All specifications are subject to change without prior notice.

